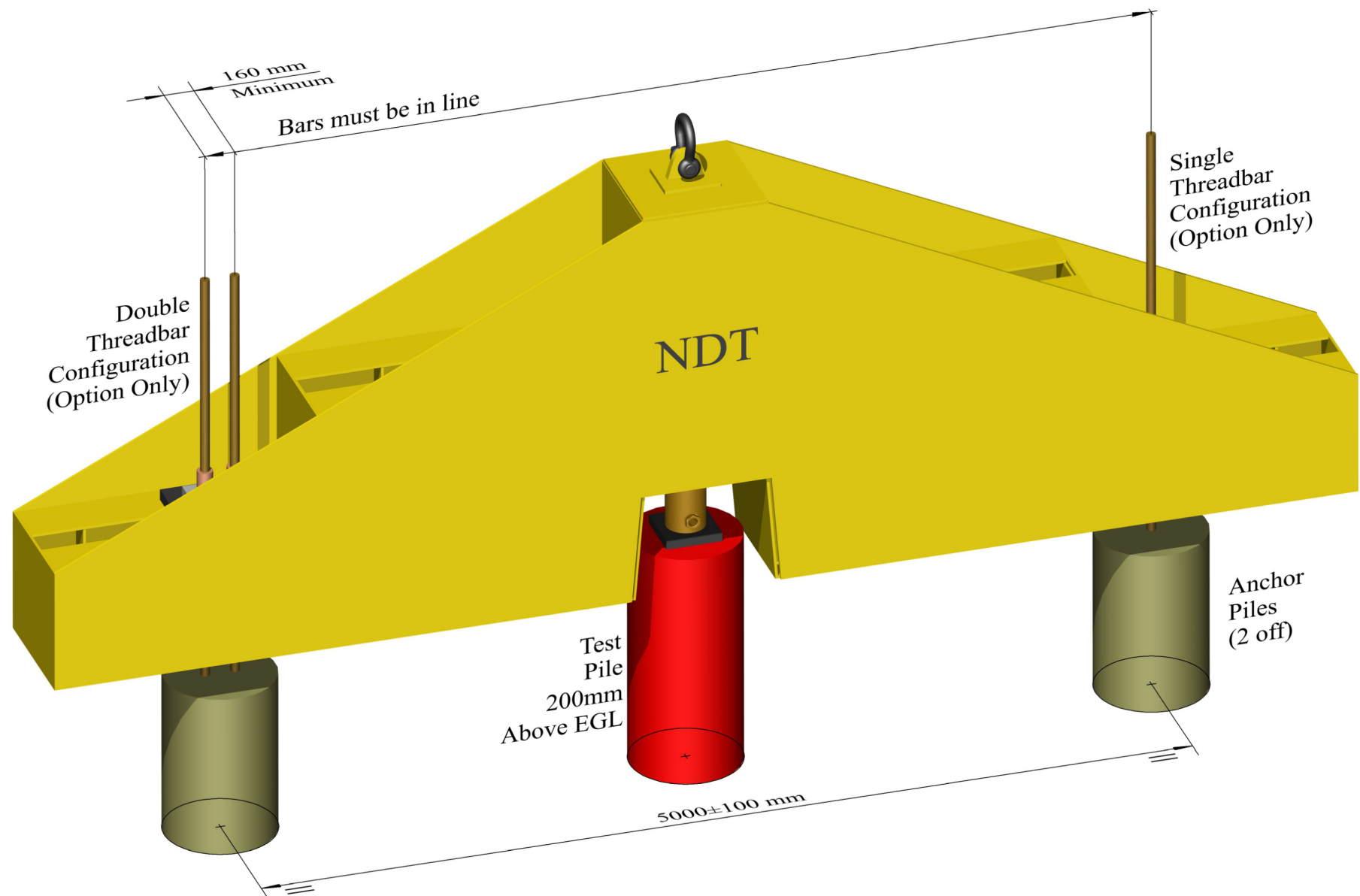


NON DESTRUCTIVE TESTING SERVICES LTD. OWN THE COPYRIGHT OF THIS DRAWING WHICH IS NOT TO BE COPIED, REPRODUCED OR DISCLOSED TO A THIRD PARTY WITHOUT WRITTEN PERMISSION.



E	15/08/23	DP	DB	RP
D	25/03/19	DP	AM	JP
C	19/09/18	DP	AM	JP
A	16/11/17	DP	AM	JP
REV	DATE	DRN	CHK	APP

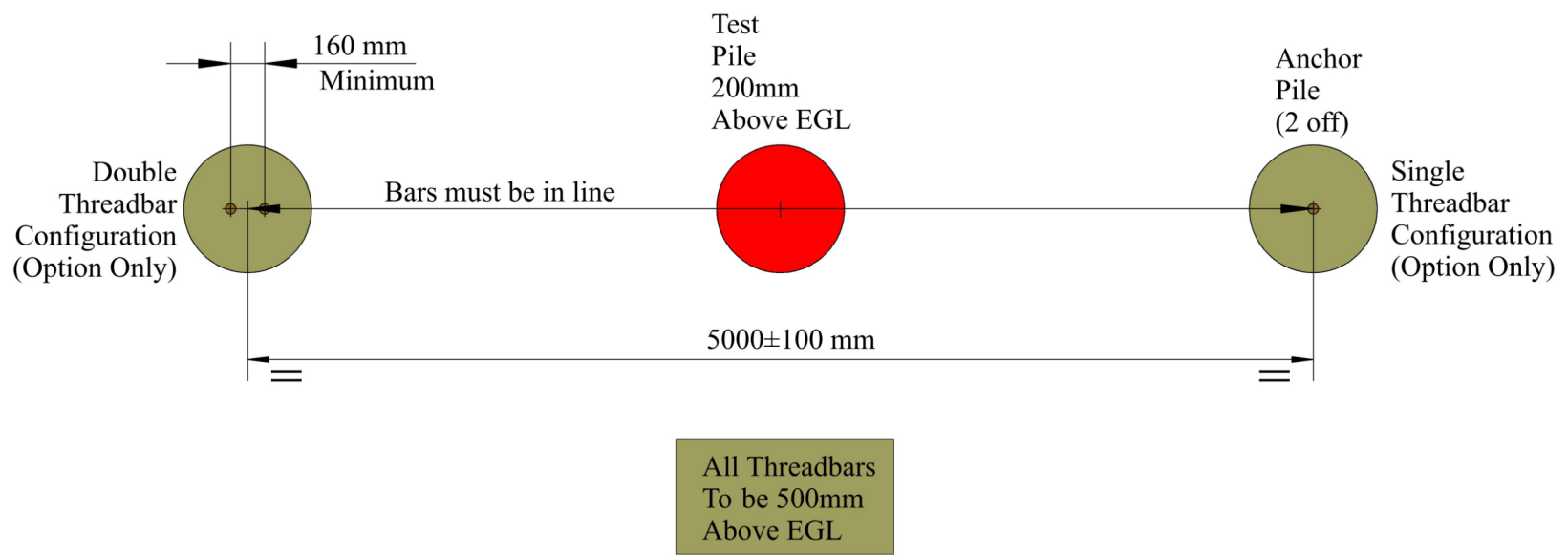
Woodland Lodge, Longhedge Lane,
 Orston, Nottingham NG13 9PL
 Tel: 01949 851820
 E-mail: info@ndt-piletesting.com

Non Destructive Testing Services Ltd

an RSK company

Title: 2 IN LINE HC PILE LAYOUT MAX TEST LOAD 5000kN	
Client:	GENERIC
Drg No.	NDT00025
Sheet 1 of 3	Revision E

NON DESTRUCTIVE TESTING SERVICES LTD. OWN THE COPYRIGHT OF THIS DRAWING WHICH IS NOT TO BE COPIED, REPRODUCED OR DISCLOSED TO A THIRD PARTY WITHOUT WRITTEN PERMISSION.



E	15/08/23	DP	DB	RP
D	25/03/19	DP	AM	JP
C	19/09/18	DP	AM	JP
A	16/11/17	DP	AM	JP
REV	DATE	DRN	CHK	APP

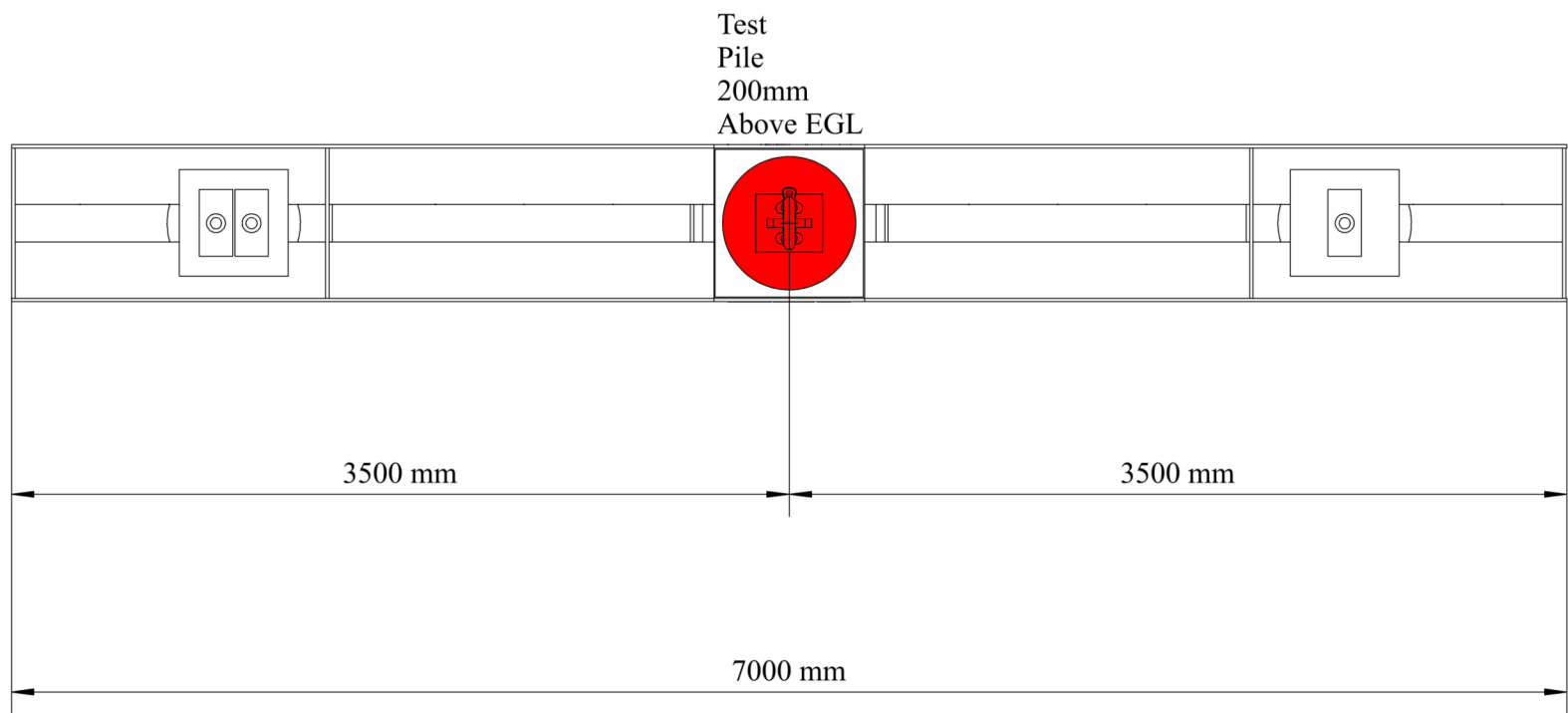
Woodland Lodge, Longhedge Lane,
Orston, Nottingham NG13 9PL
Tel: 01949 851820

E-mail: info@ndt-piletesting.com

Non Destructive Testing Services Ltd

Title: 2 IN LINE HC PILE LAYOUT MAX TEST LOAD 5000kN	
Client:	GENERIC
Drg No.	NDT00025
Sheet 2 of 3	Revision E

NON DESTRUCTIVE TESTING SERVICES LTD. OWN THE COPYRIGHT OF THIS DRAWING WHICH IS NOT TO BE COPIED, REPRODUCED OR DISCLOSED TO A THIRD PARTY WITHOUT WRITTEN PERMISSION.



E	15/08/23	DP	DB	RP
D	25/03/19	DP	AM	JP
C	19/09/18	DP	AM	JP
A	16/11/17	DP	AM	JP
REV	DATE	DRN	CHK	APP

Woodland Lodge, Longhedge Lane,
Orston, Nottingham NG13 9PL
Tel: 01949 851820

E-mail: info@ndt-piletesting.com

Non Destructive Testing Services Ltd

an RSK company

Title: 2 IN LINE HC PILE LAYOUT MAX TEST LOAD 5000kN	
Client:	GENERIC
Drg No.	NDT00025
Sheet 3 of 3	Revision E